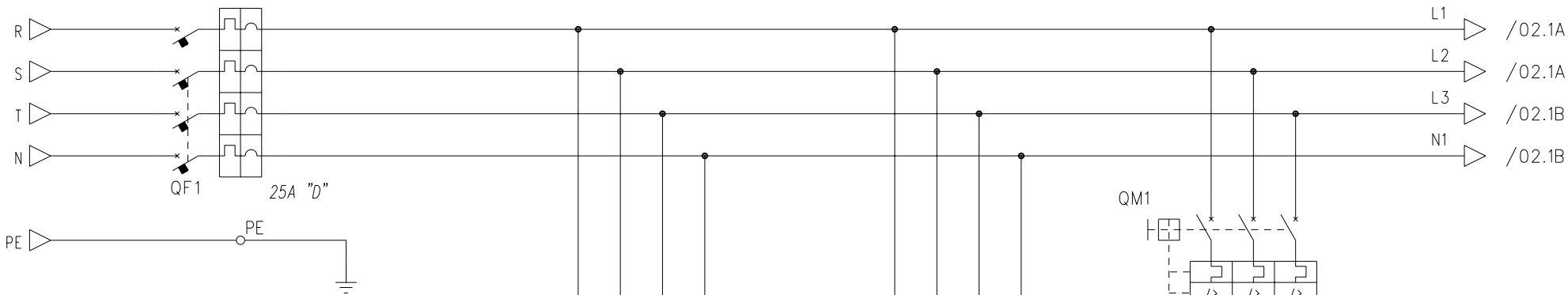




INTERRUPTORE  
GENERALE  
Hauptschalter

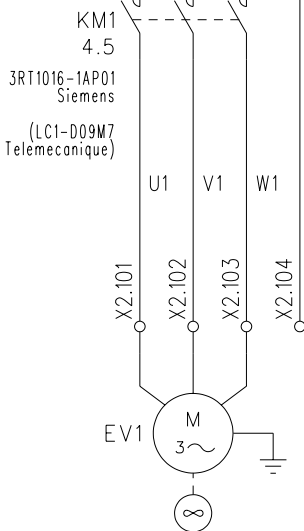


SIEMENS COMPONENT

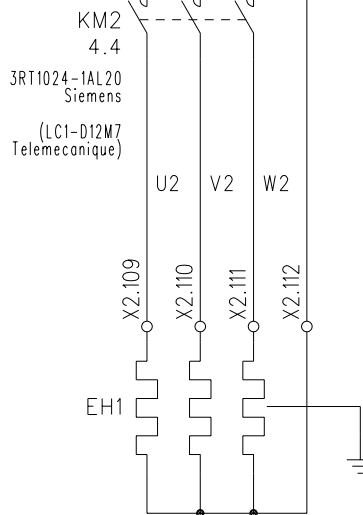
WIRE DIAGRAM ITEM	PEGO ELECTRICAL PANEL	Art. Siemens	CURRENT RANGE
QM1	110300EVD701	3RV1021-1HA10	5,5-8A
	110300EVD702	3RV1021-1JA10	7-10A
	110300EVD703	3RV1021-1KA10	9-12,5A
	110300EVD704	3RV1021-4AA10	11-16A
	110300EVD705	3RV1021-14BA10	14-20A

TELEMECANIQUE COMPONENT

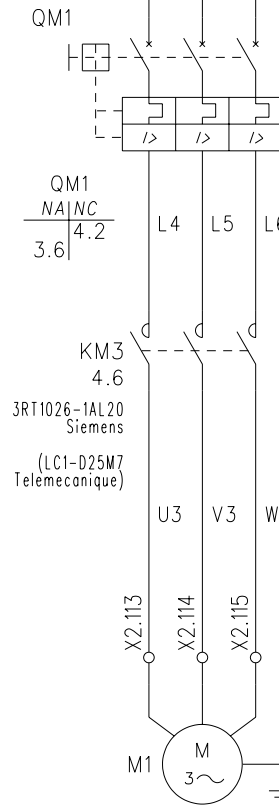
WIRE DIAGRAM ITEM	PEGO ELECTRICAL PANEL	Art. Telemecanique	CURRENT RANGE
QM1	110300EVD721	GV2-ME14	6-10A
	110300EVD722	GV2-ME16	9-14A
	110300EVD723	GV2-ME20	13-18A



VENTOLE  
EVAPORATORE  
Verdampferlüfter



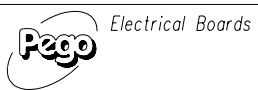
RESISTENZE  
SBRINAMENTO  
Abtauheizung



COMPRESSORE  
Verdichter

PROJECT: ECP300ExpertVD7.sch  
 FILE NAME: ECP300ExpertVD7.sch  
 TYPE:

DATE	18/02/2010
COMMISS.	Davide
CHECKED BY	
APPROV.	

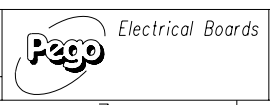


ECP300 EXPERT VD 7

= ECP300 EXPERT VD 7	
+	
SHEET 1	
N.S. 2	T.F. 10

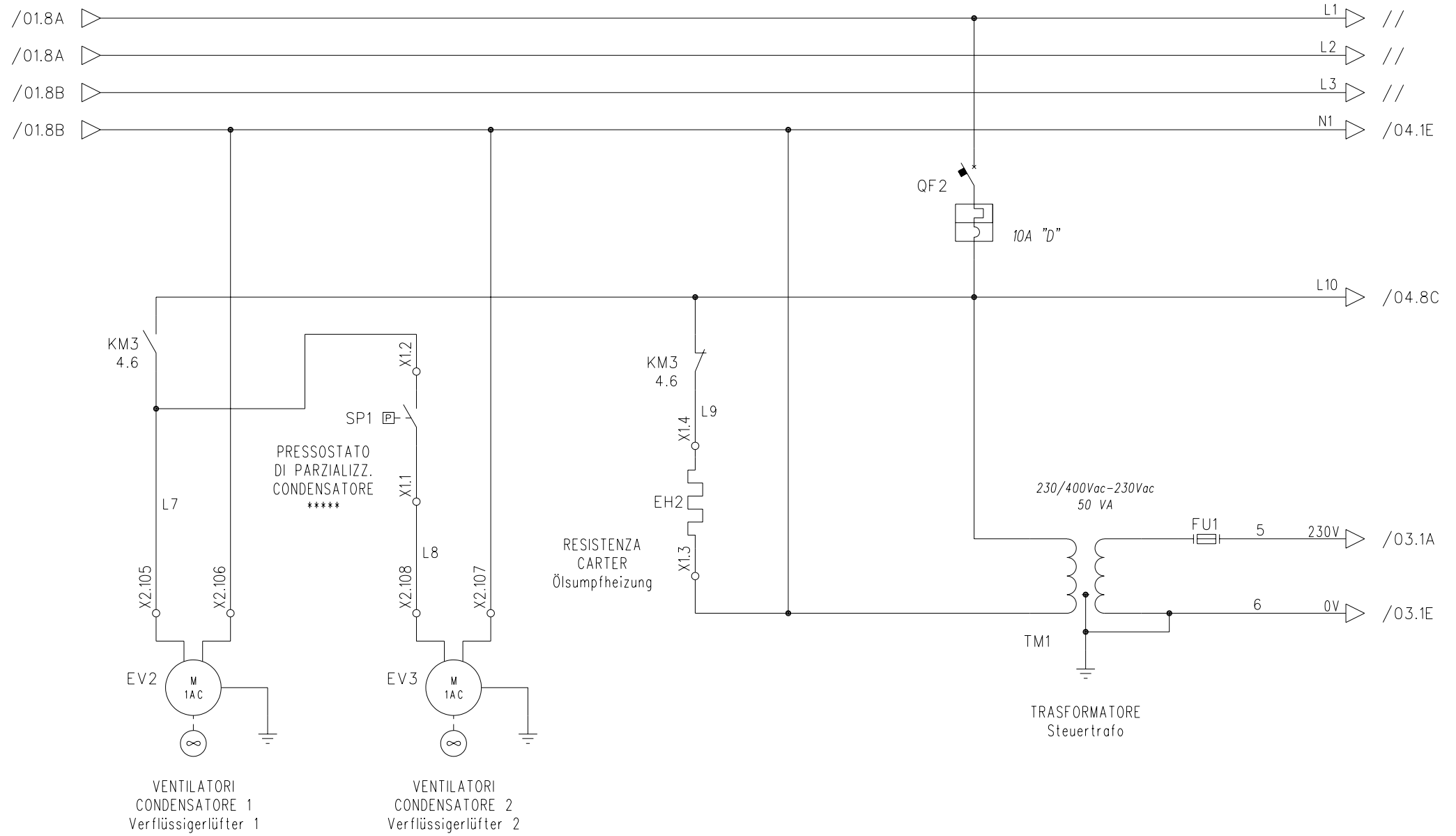
PROJECT: ECP300ExpertVD7.sch  
 FILE NAME: ECP300ExpertVD7.sch  
 TYPE:

DATE	18/02/2010
COMMISS.	Davide
CHECKED BY	
APPROV.	



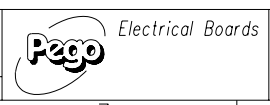
ECP300 EXPERT VD 7

= ECP300 EXPERT VD 7	
+	
SHEET 2	
N.S. 3	T.F. 10



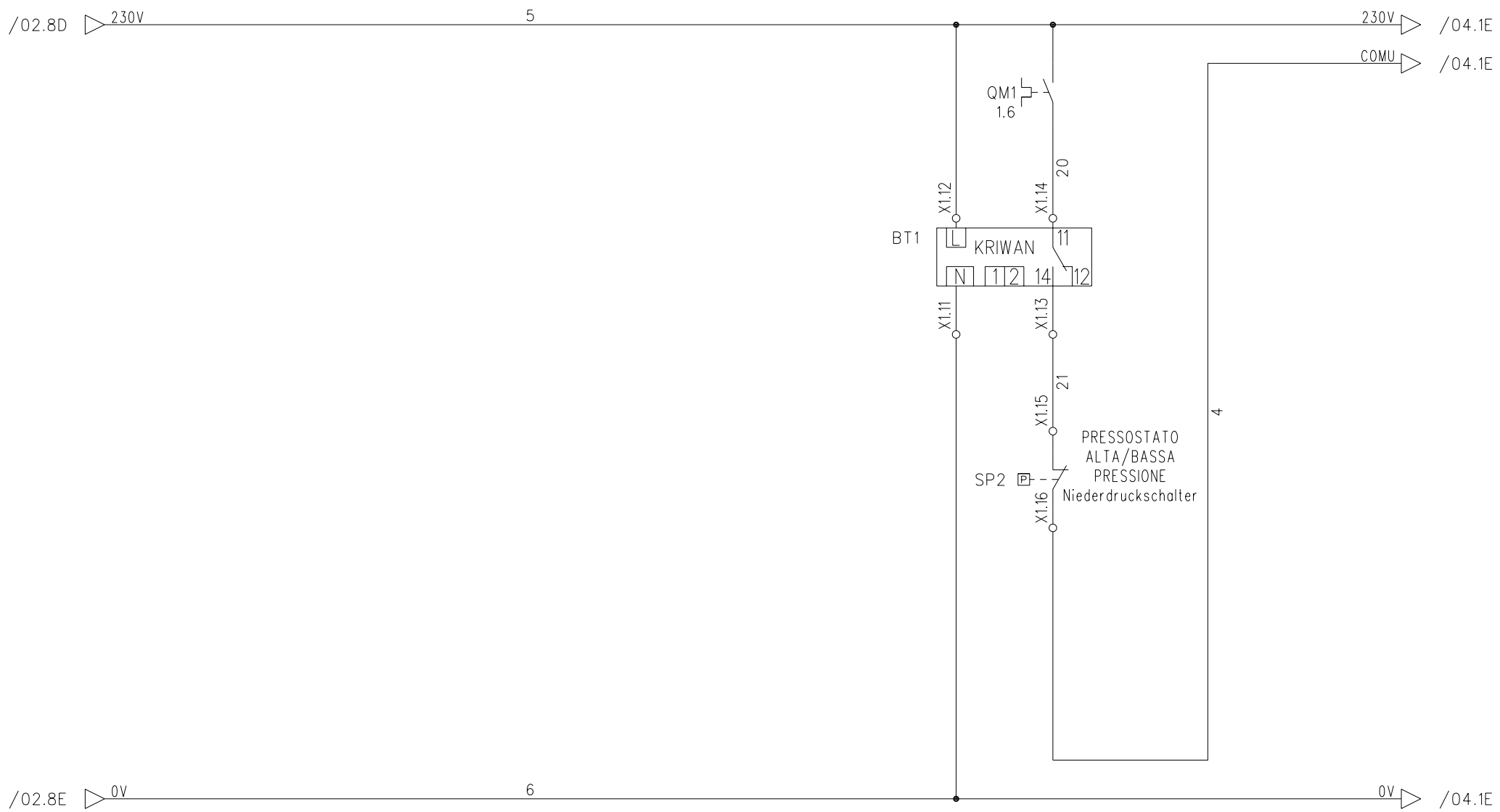
PROJECT: ECP300Expert1VD7.sch  
 FILE NAME: ECP300Expert1VD7.sch  
 TYPE:

DATE	18/02/2010
COMMISS.	Davide
CHECKED BY	
APPROV.	



ECP300 EXPERT VD 7

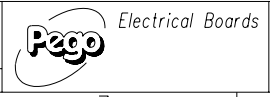
= ECP300 EXPERT VD 7	
+	
SHEET 3	
N.S. 4	T.F. 10



COPYING OF THIS DOCUMENT, AND GIVING IT TO OTHERS AND THE USE OR COMMUNICATION OF THE CONTENTS THEREOF, ARE FORBIDDEN WITHOUT EXPRESS AUTHORITY. OFFENDERS ARE LIABLE TO THE PAYMENT OF DAMAGES. ALL RIGHTS ARE RESERVED IN THE EVENT OF THE GRANT OF A PATENT OF THE REGISTRATION OF A UTILITY MODEL OR DESIGN.

PROJECT: ECP300ExpertVD7.sch  
 FILE NAME: ECP300ExpertVD7.sch  
 TYPE:

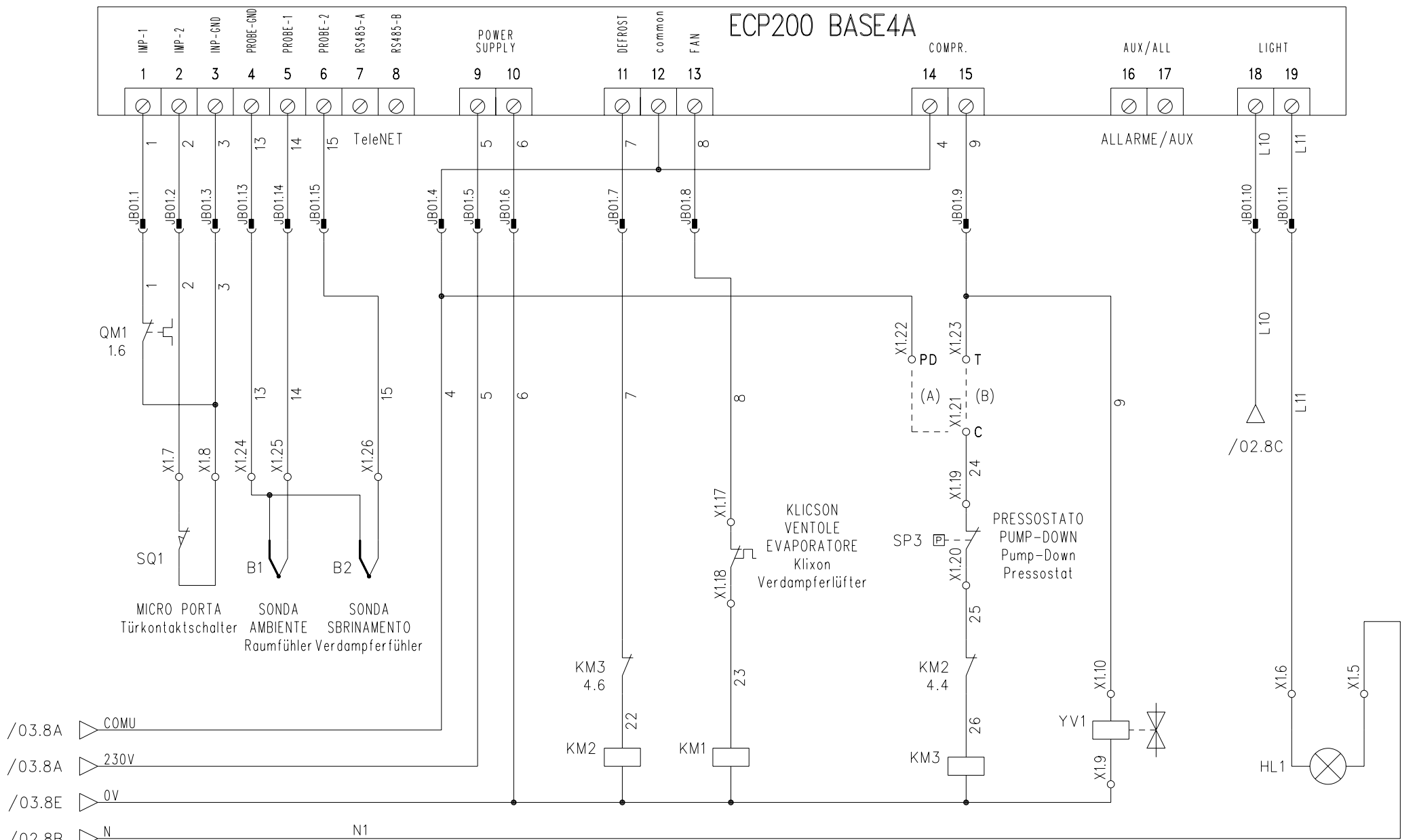
DATE 18/02/2010  
 COMMISS. Davide  
 CHECKED BY  
 APPROV.



ECP300 EXPERT VD 7

= ECP300 EXPERT VD 7  
 +  
 SHEET 4  
 N.S. 5 T.F. 10

# ECP200 BASE4A



**SELEZIONE FUNZIONAMENTO:**  
 Funktionsweise Betriebsmodus  
**PONTE (A):** FUNZIONAMENTO CON PUMP-DOWN  
 Betriebsmodus Pump-Down  
**PONTE (B):** FUNZIONAMENTO CON TERMOSTATO  
 Betriebsmodus Thermostatbetrieb

KM2	1.7	KM1	1.4
NA	NC	NA	NC
	4.6		

KM3	1.6
NA	NC
2.2	2.5

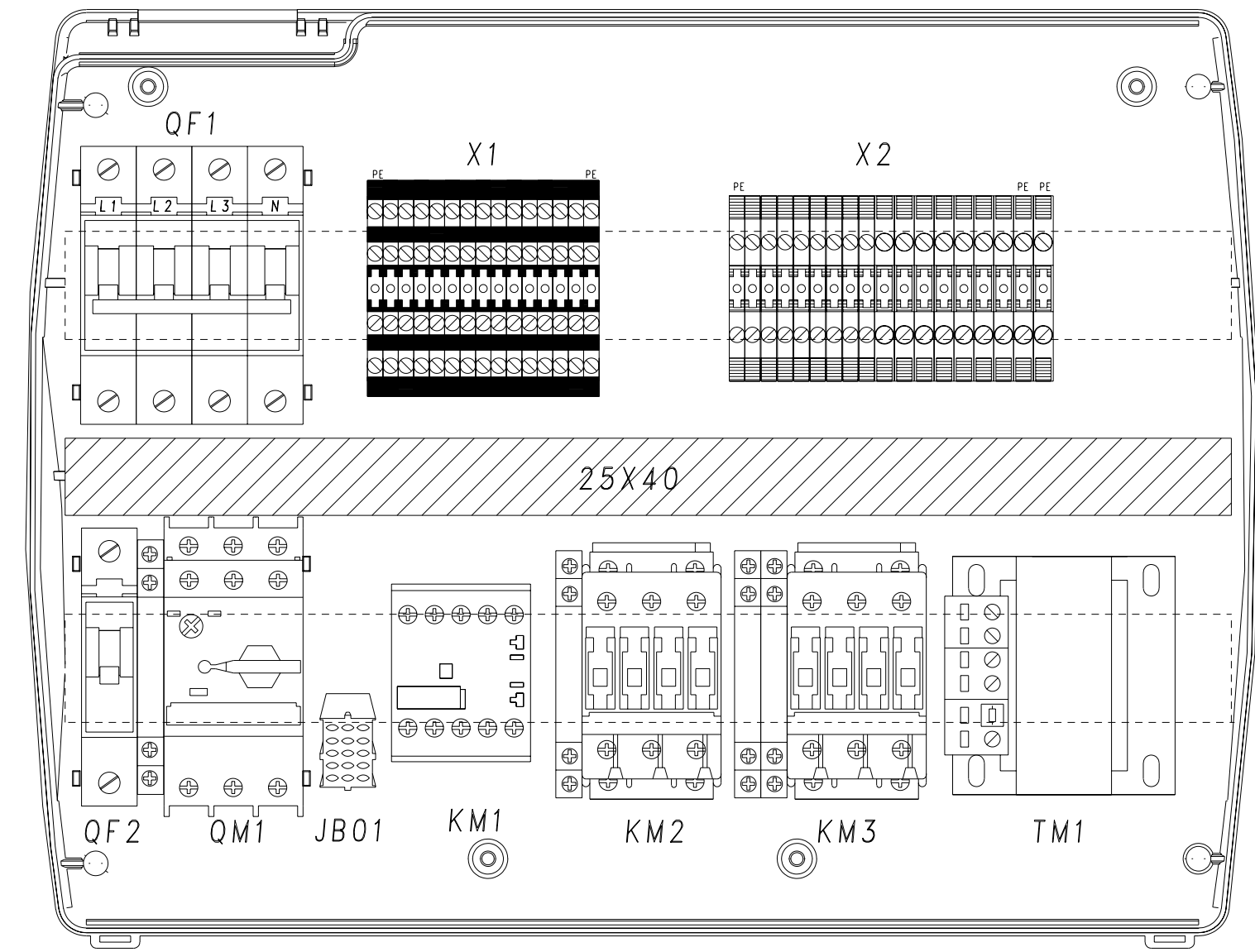
SOLENOIDE LIQUIDA  
 Magnetventil

LUCE CELLA  
 Kühlraumlicht

COPYING OF THIS DOCUMENT, AND GIVING IT TO OTHERS AND THE USE OR COMMUNICATION OF THE CONTENTS THEREOF, ARE FORBIDDEN WITHOUT EXPRESS AUTHORITY. OFFENDERS ARE LIABLE TO THE PAYMENT OF DAMAGES. ALL RIGHTS ARE RESERVED IN THE EVENT OF THE GRANT OF A PATENT OF THE REGISTRATION OF A UTILITY MODEL OR DESIGN.

PROJECT: ECP300ExpertVD7.sch  
 FILE NAME: ECP300ExpertVD7.sch  
 TYPE:

DATE: 29/03/2007  
 COMMISS.: Bonvicini  
 CHECKED BY:  
 APPROV.:



SIEMENS COMPONENT